

PHILIPS

CHASIS "GR"

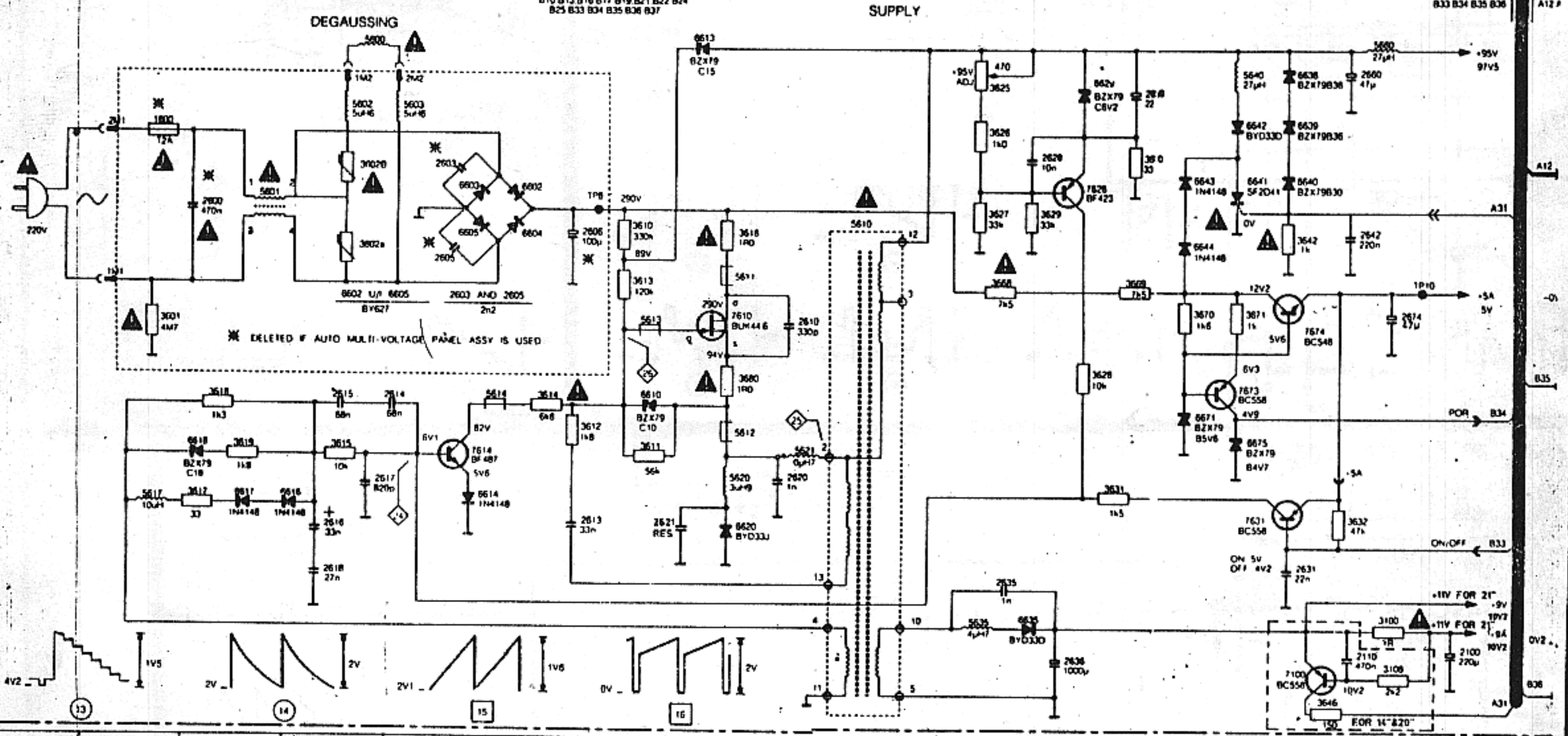
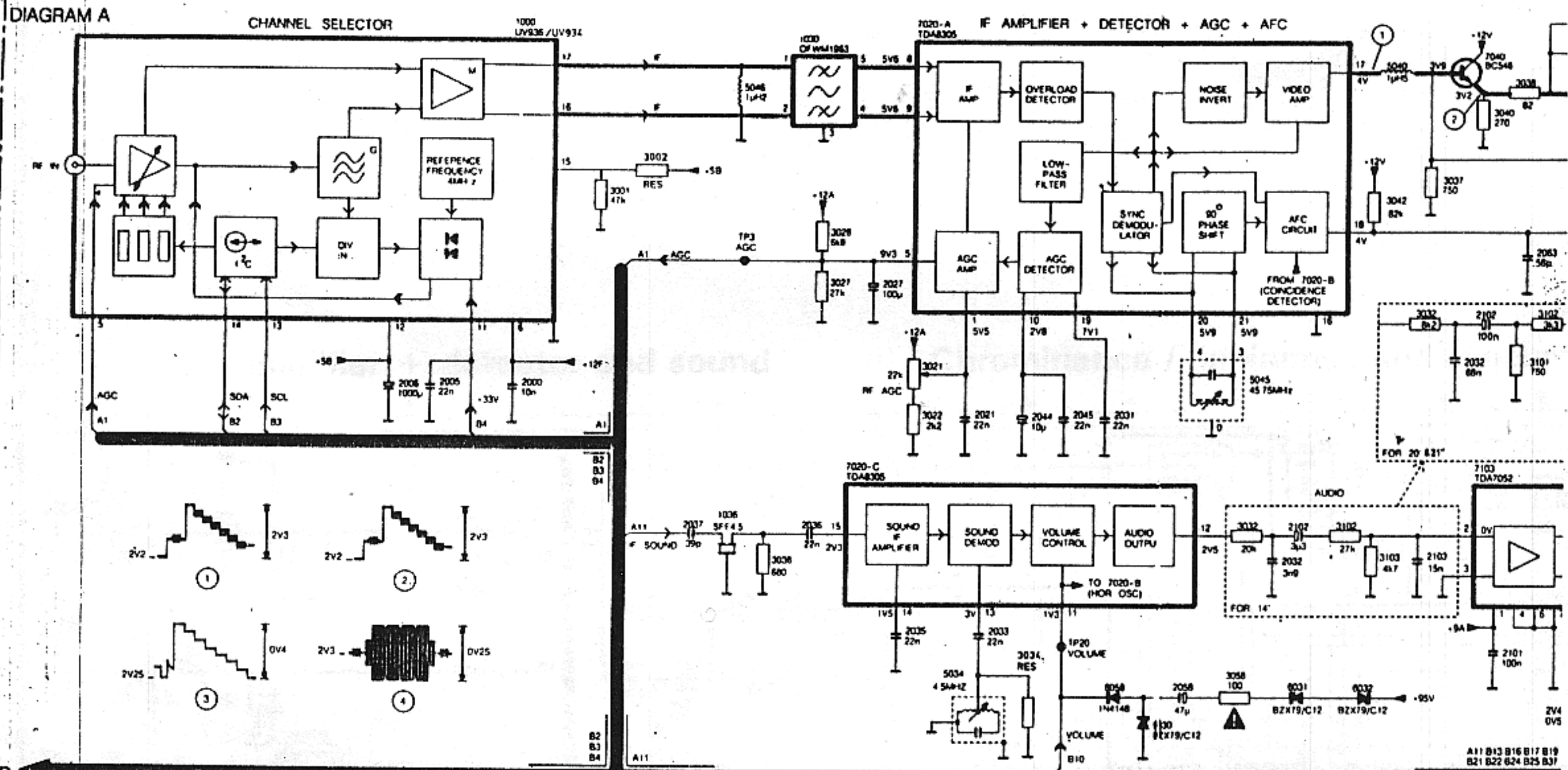
MODS: GR 1356(20"). GR 1368(21")

CHASIS: GR1-AX LA 1355

Channel selector and Power supply

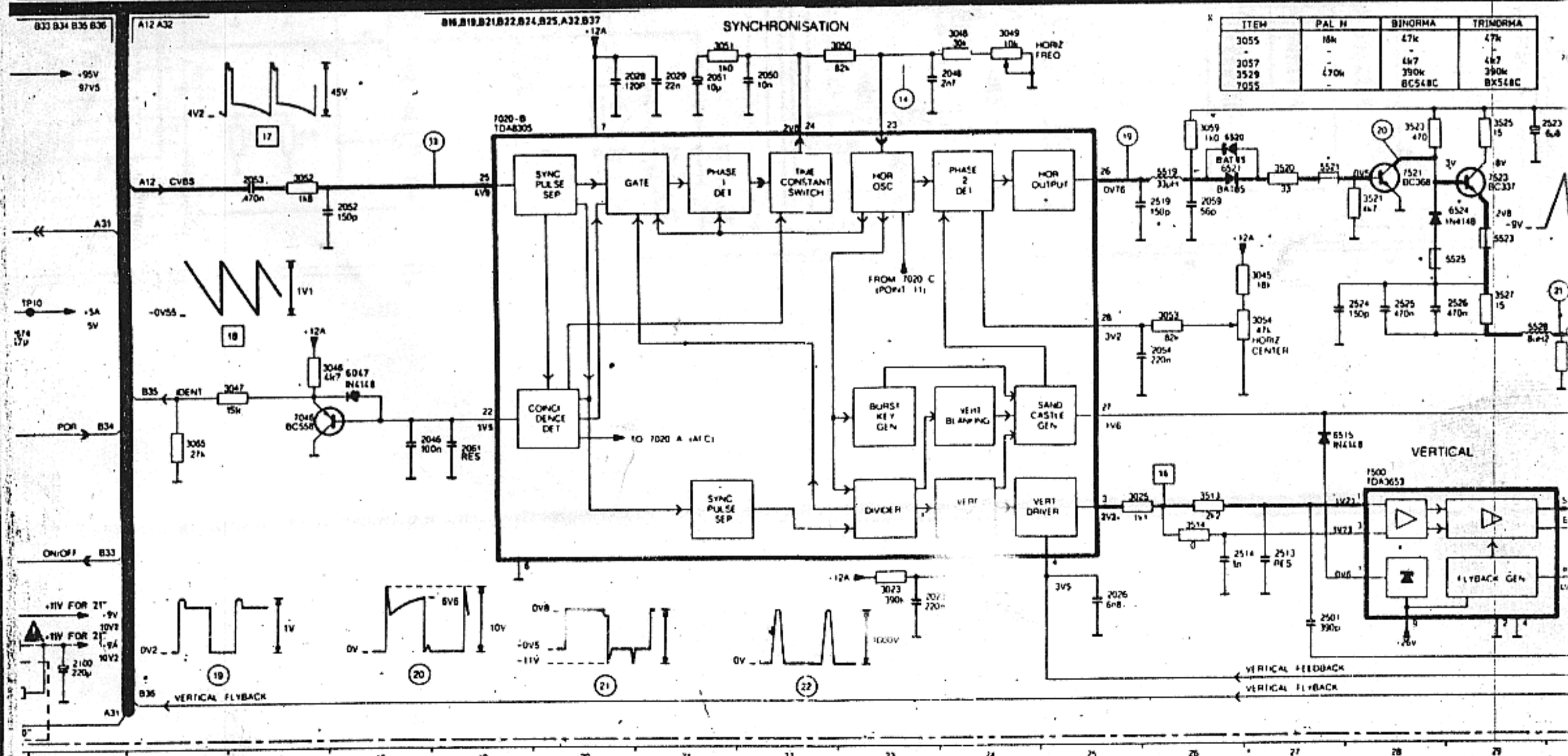
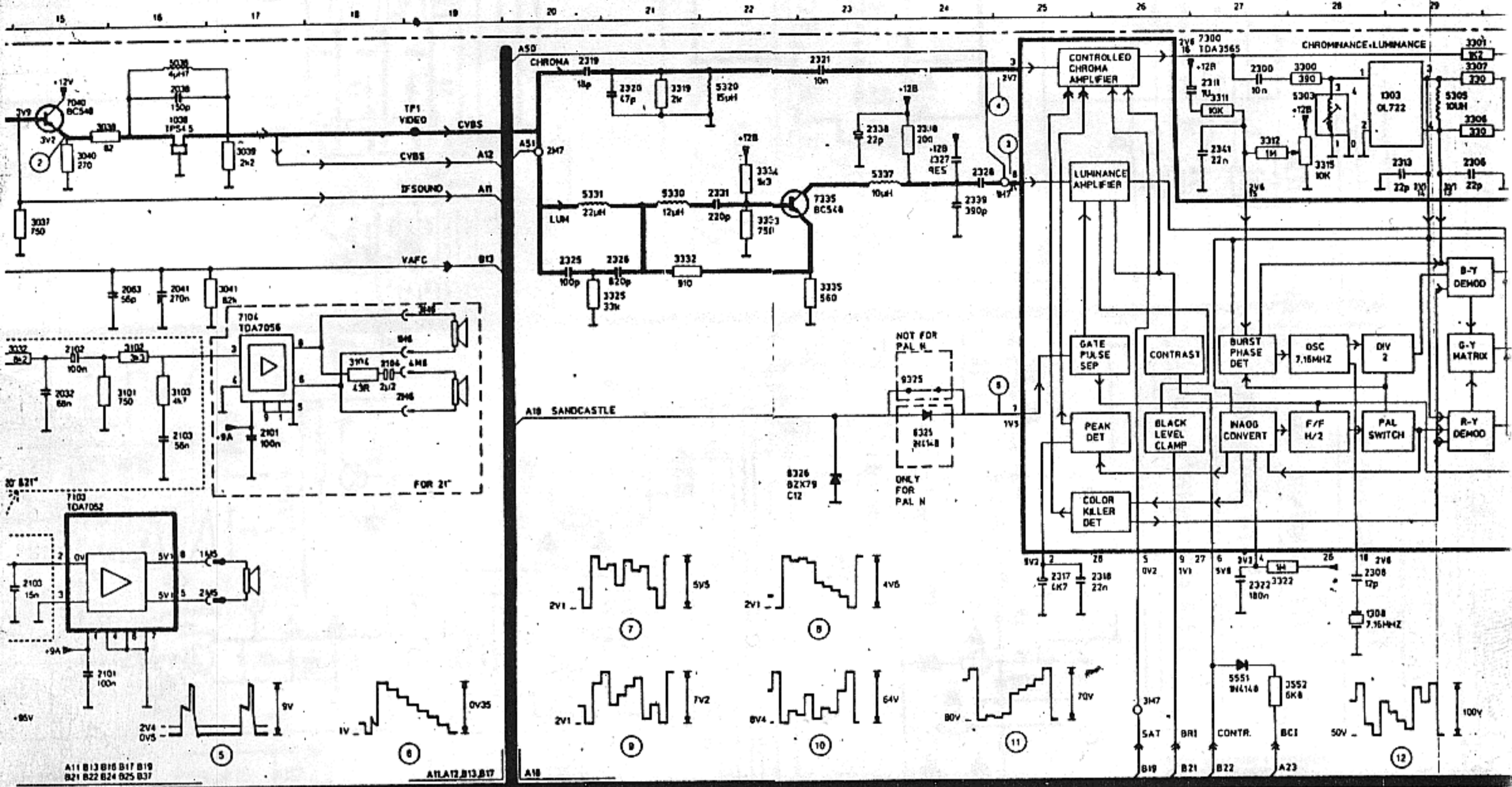
GR1-AX LA

GR1-AX LA



IF amplifier + detector and sound

Chrominance / luminance and synchronis

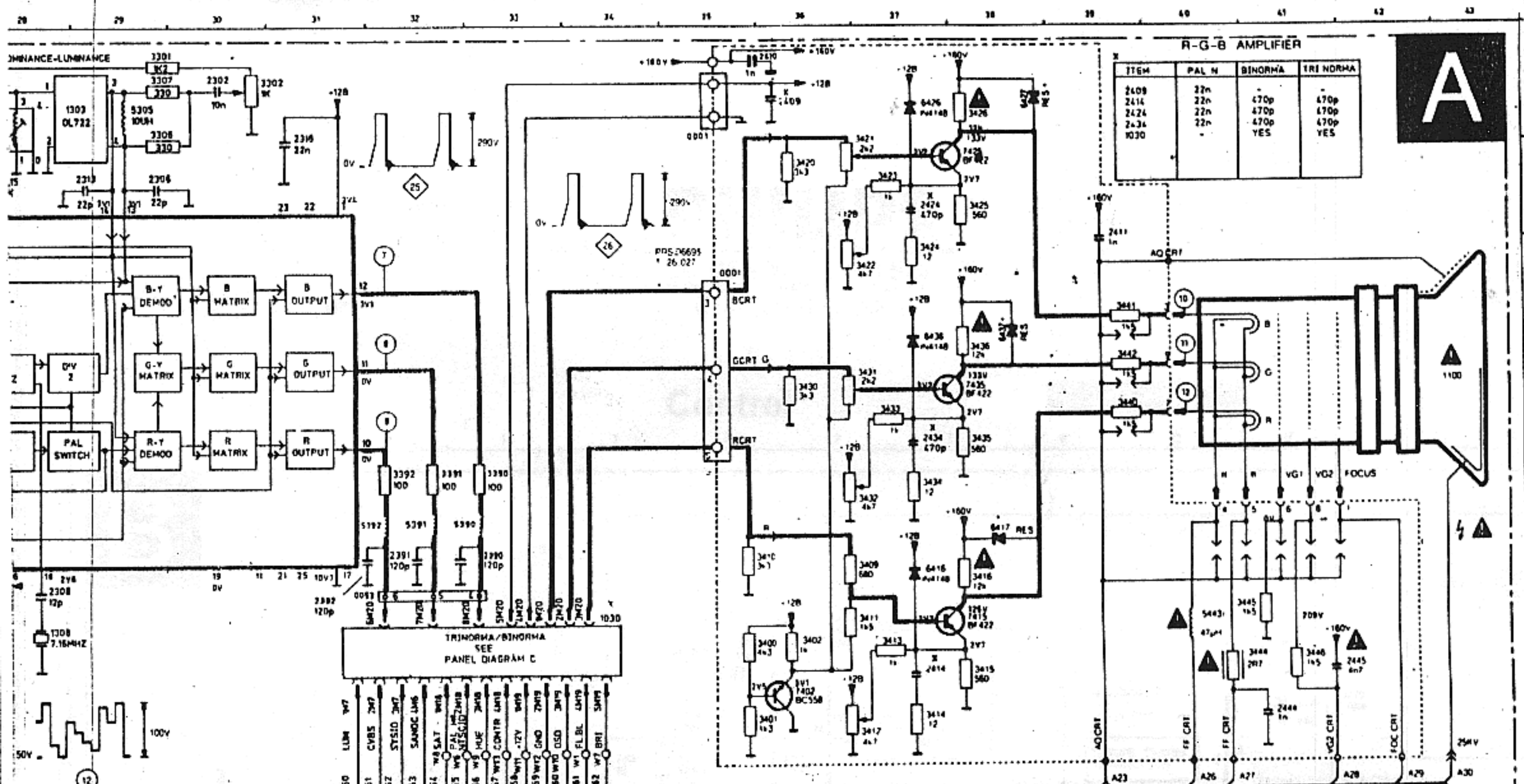


synchronisation

GR1-AX LA

GR1-AX LA

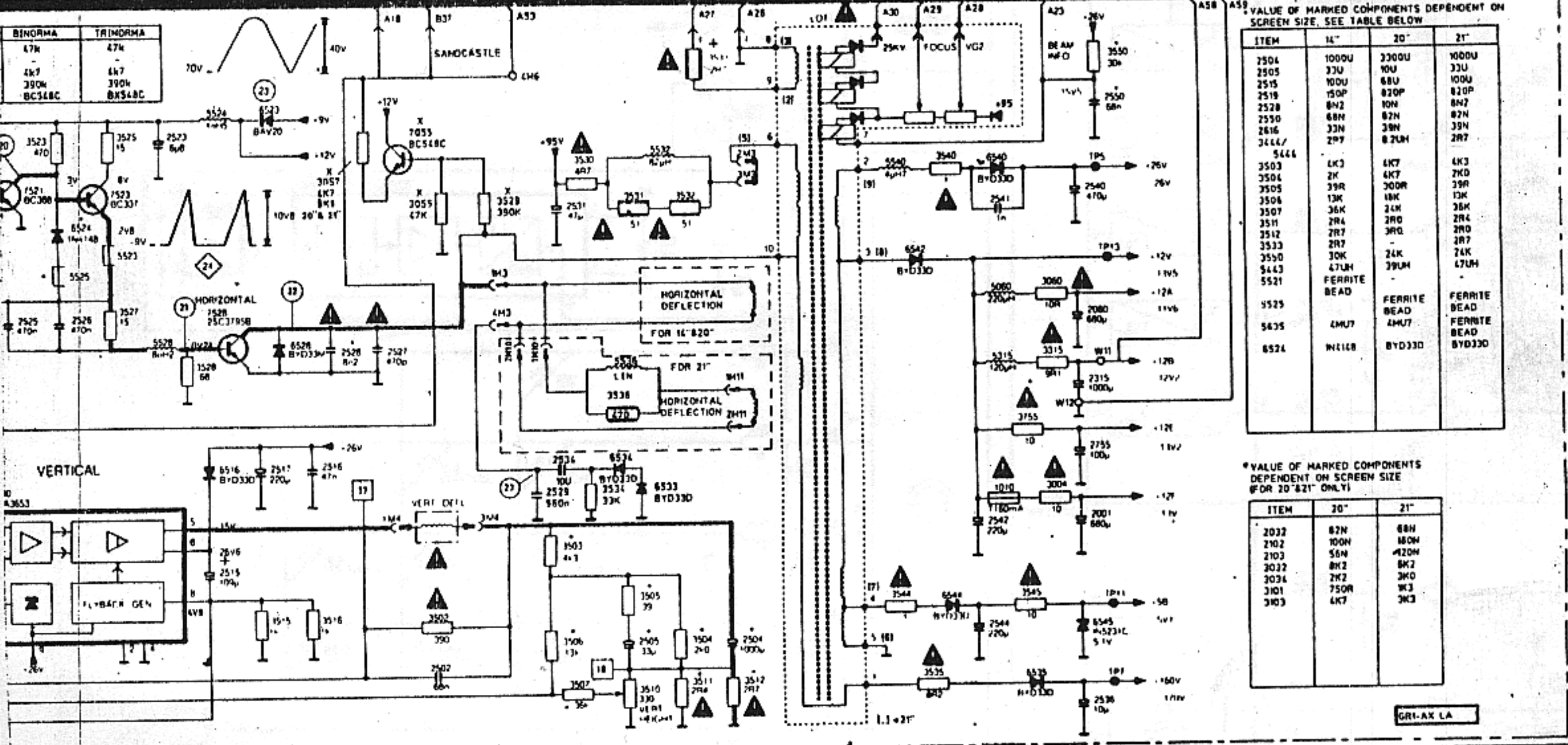
CRT panel and deflection



R-G-B AMPLIFIER

ITEM	PAL N	BINORMA	TRI NORMA
2408	22n	470p	470p
2414	22n	470p	470p
2424	22n	470p	470p
2434	22n	YES	YES
1030			

BINORMA	TRINORMA
47k	47k
4k7	4k7
390k	390k
BC548C	BK548C



VALUE OF MARKED COMPONENTS DEPENDENT ON SCREEN SIZE. SEE TABLE BELOW

ITEM	14"	20"	21"
2504	1000U	3300U	1000U
2505	33U	10U	33U
2515	100U	68U	100U
2519	150P	820P	820P
2528	8k2	10k	8k2
2550	68k	82k	82k
2616	33k	39k	39k
3444/3444/	20P	82Uk	20P
3503	4k3	4k7	4k3
3504	2k	4k7	2k0
3505	39k	300k	39k
3506	13k	18k	13k
3507	36k	24k	36k
3511	2R4	2R0	2R4
3512	2R7	3R0	2R0
3533	2R7	-	2R7
3550	30k	24k	24k
3443	47Uk	39Uk	47Uk
5521	FERRITE BEAD	FERRITE BEAD	FERRITE BEAD
5525	FERRITE BEAD	FERRITE BEAD	FERRITE BEAD
5435	4M7	4M7	FERRITE BEAD
6524	W11C8	BYD330	FERRITE BEAD

VALUE OF MARKED COMPONENTS DEPENDENT ON SCREEN SIZE (FOR 20" & 21" ONLY)

ITEM	20"	21"
2032	82k	88k
2102	100k	180k
2103	56k	420k
3032	8k2	8k2
3034	2k2	3k0
3101	750R	W3
3103	4k7	3k3

PHILIPS

MODS: GR 1356(20"). GR 1366(21")

CHASIS: GR1-AX LA

Control

GR1-AX LA

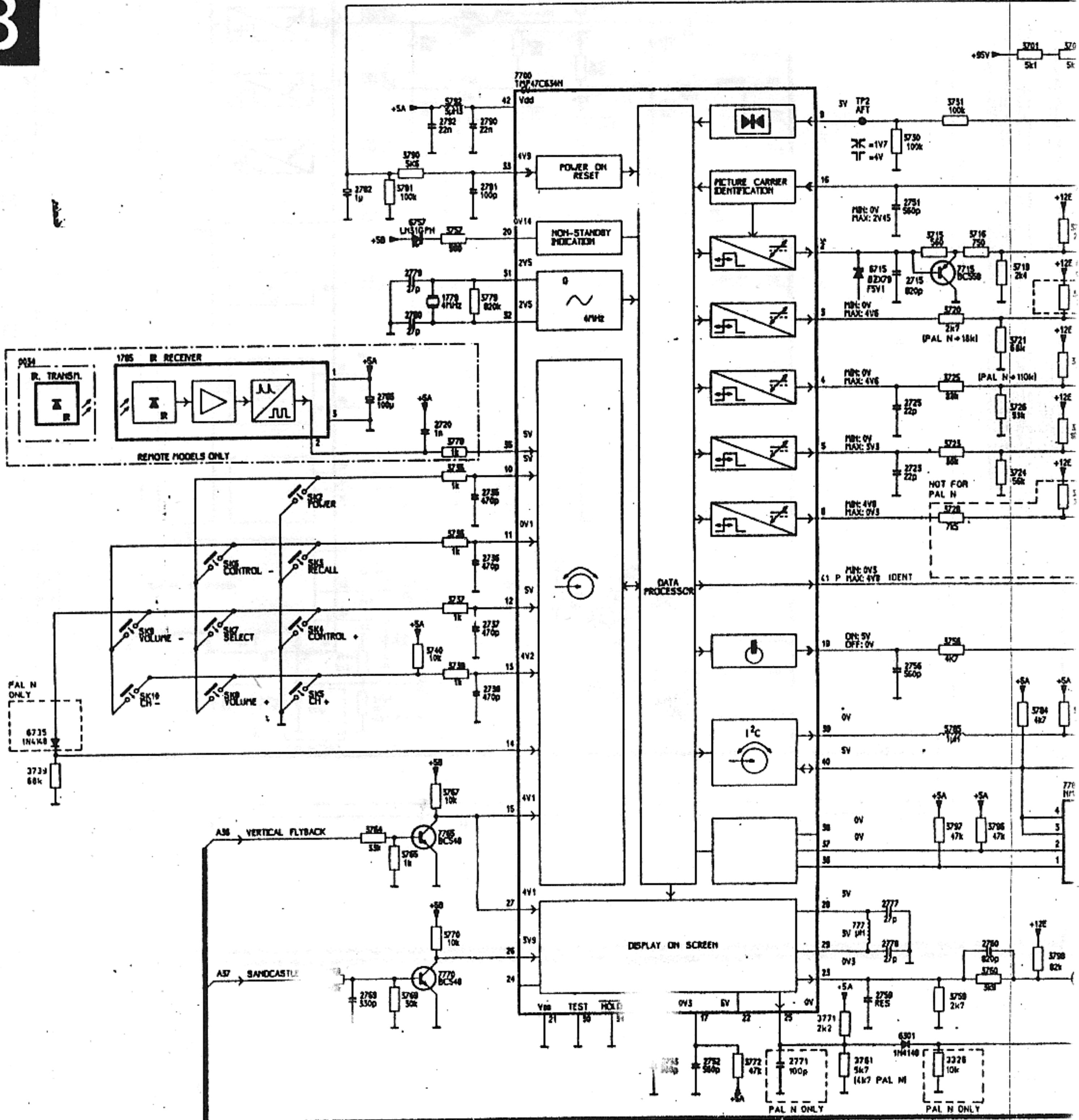
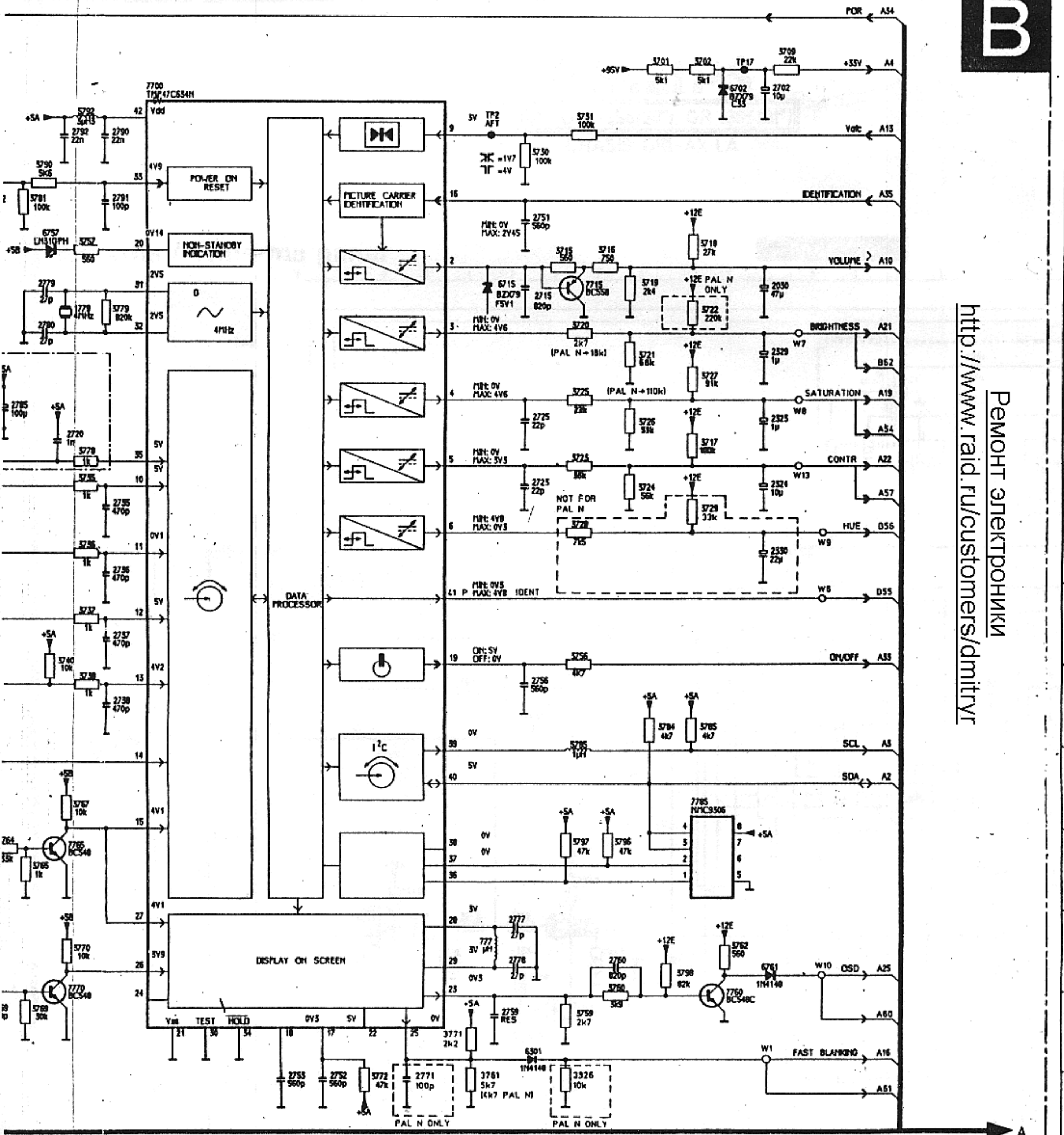
B

DIAGRAM B (PLL CONTROL)

B



Ремонт электроники
<http://www.raid.ru/customers/dmitryr>

SK2 G
 SK3 G
 SK4 I
 SK5 I
 SK6 G
 SK7 H
 SK8 I
 SK9 H
 1779 C
 1785 C
 2030 F
 2312 F
 2323 F
 2324 F
 2329 F
 2330 C
 2702 C
 2715 C
 2720 C
 2725 F
 2735 C
 2736 C
 2737 F
 2738 F
 2739 F
 2740 F
 2741 F
 2742 F
 2743 F
 2744 F
 2745 F
 2746 F
 2747 F
 2748 F
 2749 F
 2750 F
 2751 F
 2752 F
 2753 F
 2754 F
 2755 F
 2756 F
 2757 F
 2758 F
 2759 F
 2760 F
 2761 F
 2762 F
 2763 F
 2764 F
 2765 F
 2766 F
 2767 F
 2768 F
 2769 F
 2770 F
 2771 F
 2772 F
 2773 F
 2774 F
 2775 F
 2776 F
 2777 F
 2778 F
 2779 F
 2780 F
 2781 F
 2782 F
 2783 F
 2784 F
 2785 F
 2786 F
 2787 F
 2788 F
 2789 F
 2790 F
 2791 F
 2792 F
 2793 F
 2794 F
 2795 F
 2796 F
 2797 F
 2798 F
 2799 F
 2800 F
 3339 N
 3701 A
 3702 A
 3703 A
 3704 A
 3705 A
 3706 A
 3707 A
 3708 A
 3709 A
 3710 A
 3711 A
 3712 A
 3713 A
 3714 A
 3715 A
 3716 A
 3717 A
 3718 A
 3719 A
 3720 A
 3721 A
 3722 A
 3723 A
 3724 A
 3725 A
 3726 A
 3727 A
 3728 A
 3729 A
 3730 A
 3731 A
 3732 A
 3733 A
 3734 A
 3735 A
 3736 A
 3737 A
 3738 A
 3739 A
 3740 A
 3741 A
 3742 A
 3743 A
 3744 A
 3745 A
 3746 A
 3747 A
 3748 A
 3749 A
 3750 A
 3751 A
 3752 A
 3753 A
 3754 A
 3755 A
 3756 A
 3757 A
 3758 A
 3759 A
 3760 A
 3761 A
 3762 A
 3763 A
 3764 A
 3765 A
 3766 A
 3767 A
 3768 A
 3769 A
 3770 A
 3771 A
 3772 A
 3773 A
 3774 A
 3775 A
 3776 A
 3777 A
 3778 A
 3779 A
 3780 A
 3781 A
 3782 A
 3783 A
 3784 A
 3785 A
 3786 A
 3787 A
 3788 A
 3789 A
 3790 A
 3791 A
 3792 A
 3793 A
 3794 A
 3795 A
 3796 A
 3797 A
 3798 A
 3799 A
 3800 A
 5701 S
 5702 S
 5703 S
 5704 S
 5705 S
 5706 S
 5707 S
 5708 S
 5709 S
 5710 S
 5711 S
 5712 S
 5713 S
 5714 S
 5715 S
 5716 S
 5717 S
 5718 S
 5719 S
 5720 S
 5721 S
 5722 S
 5723 S
 5724 S
 5725 S
 5726 S
 5727 S
 5728 S
 5729 S
 5730 S
 5731 S
 5732 S
 5733 S
 5734 S
 5735 S
 5736 S
 5737 S
 5738 S
 5739 S
 5740 S
 5741 S
 5742 S
 5743 S
 5744 S
 5745 S
 5746 S
 5747 S
 5748 S
 5749 S
 5750 S
 5751 S
 5752 S
 5753 S
 5754 S
 5755 S
 5756 S
 5757 S
 5758 S
 5759 S
 5760 S
 5761 S
 5762 S
 5763 S
 5764 S
 5765 S
 5766 S
 5767 S
 5768 S
 5769 S
 5770 S
 5771 S
 5772 S
 5773 S
 5774 S
 5775 S
 5776 S
 5777 S
 5778 S
 5779 S
 5780 S
 5781 S
 5782 S
 5783 S
 5784 S
 5785 S
 5786 S
 5787 S
 5788 S
 5789 S
 5790 S
 5791 S
 5792 S
 5793 S
 5794 S
 5795 S
 5796 S
 5797 S
 5798 S
 5799 S
 5800 S
 6301 1M4148
 7700 B
 7715 D
 7760 M
 7765 K
 7770 L
 7785 J
 SK10 I

PHILIPS

MODS: GR 1356(20"), GR 1366(21")

CHASIS: GR1-AX LA

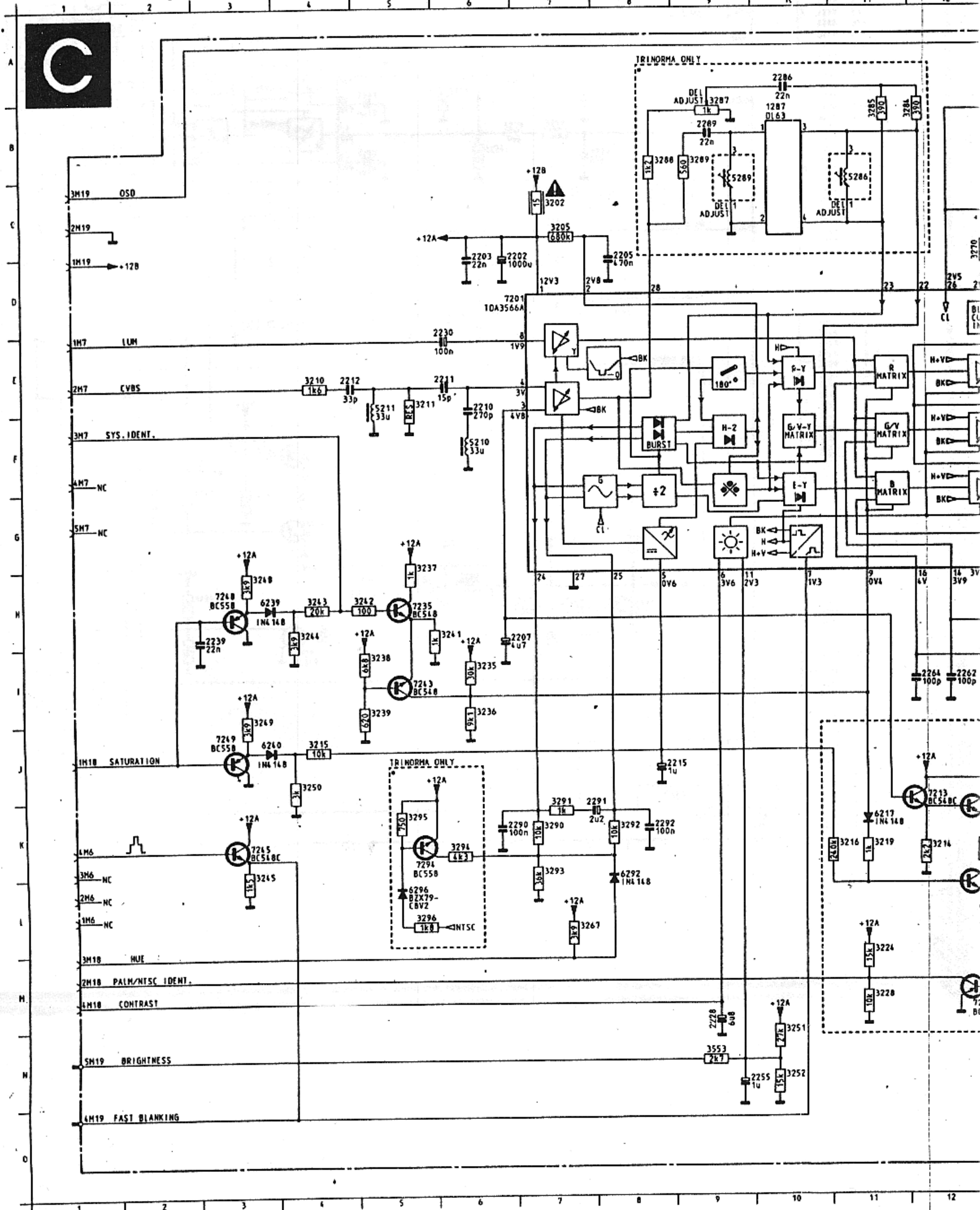
Ремонт электроники

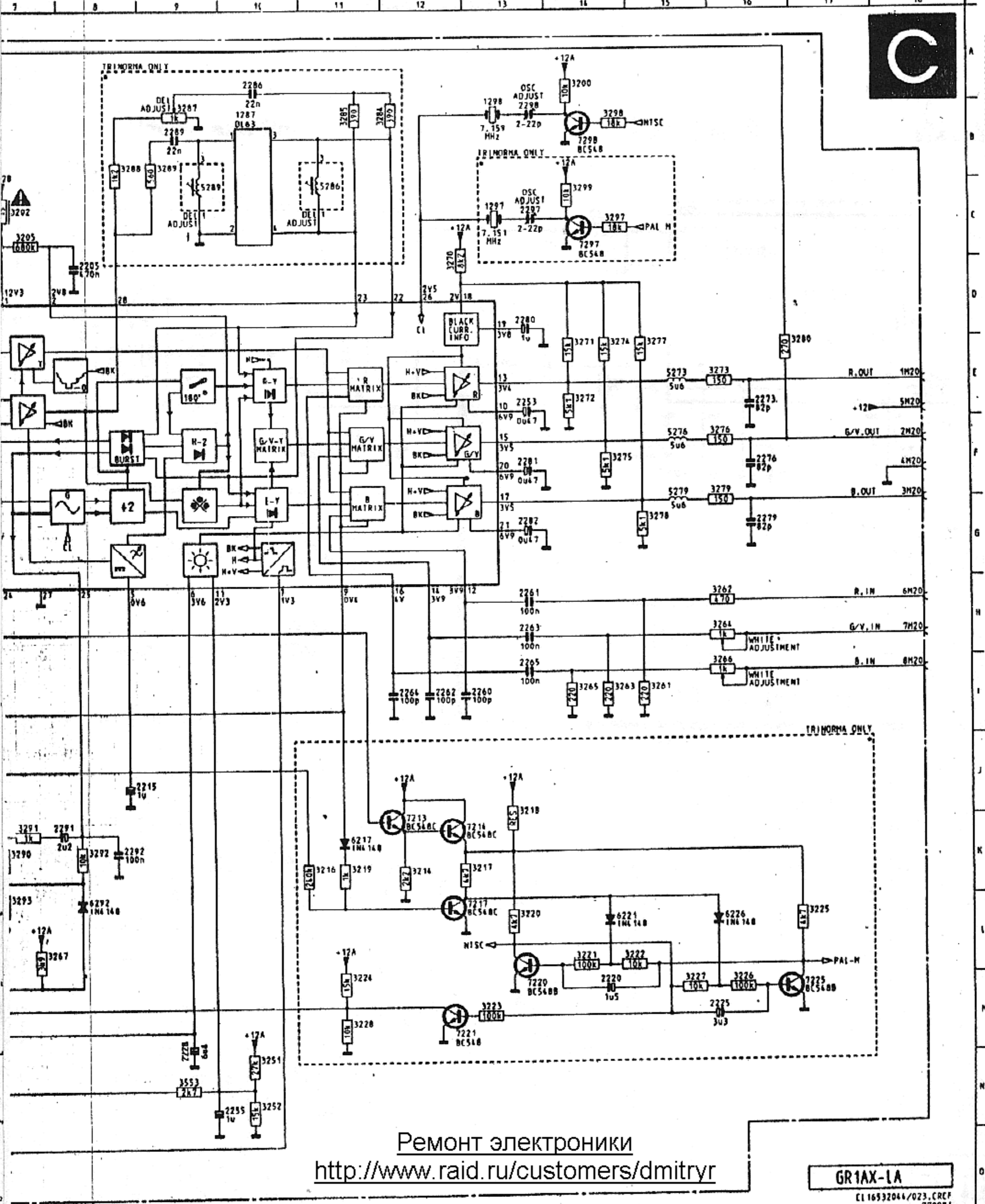
<http://www.raid.ru/customers/dmitryr>

GR1-AX LA

GR1-AX L

norma / Trinorma panel





Ремонт электроники
<http://www.raid.ru/customers/dmitryr>

GR1AX-LA

CI 16532044/023, CREP 270991